

PUSH IN SENSOR

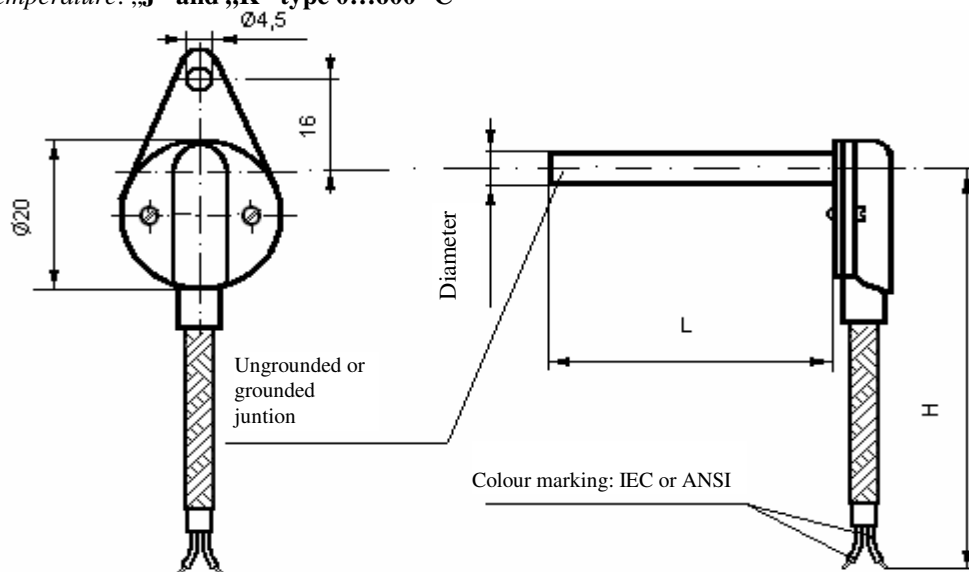


NZG H: thermocouple type

Description:

Push in thermocouple sensor.

Temperature: „J” and „K” type 0...600 °C



Ordering code:

MEASURING-ELEMENT:

Type of thermocouple:

„J” Fe-CuNi (IEC584)

„K” NiCr-Ni (IEC584)

Other

Class of accuracy (IEC584):

I.

II.

Construction:

Simple

Double

Heat junction:

Ungrounded

Grounded

THERMOWELL:

Material of thermowell:

1.4301

1.4541

1.4571

Other

Diameter of thermowell [mm]:

3

4

6

8

Insertion length:

L [mm]

WIRE:

Wire exterior material

PVC Silicon Teflon Fiberglass Other

105°C 180 °C 250 °C 400 °C

1

2

3

4

9

Shield of wire

Non

Exterior

Interior

0

1

2

Length of wire: H [mm]

| N | Z | G | H | | | | | | | | | | |
|---|---|---|---|-------------|---------|--------|--------|--------|------------------|--|--|--|--|
| | | | | J K 9 | | | | | | | | | |
| | | | | | I II | 1 2 | | | | | | | |
| | | | | | | | 1 2 | | | | | | |
| | | | | | | | | 1 2 | | | | | |
| | | | | | | | | | 1 2 3 9 | | | | |
| | | | | | | | | | | | | | |
| | | | | | | | | | | | | | |
| | | | | | | | | | | | | | |
| | | | | | | | | | | | | | |
| | | | | | | | | | | | | | |
| | | | | | | | | | | | | | |
| | | | | | | | | | | | | | |
| | | | | | | | | | | | | | |
| | | | | | | | | | | | | | |
| | | | | | | | | | | | | | |

Naturally, we can differ from the above construction.

Please, fill in the ordering code and send your enquiry (order) to us.

fax: 00-36-1-282-6135 , e-mail: ugyfelsz@rhodium.hu , We will discuss the details.

If you have question, please call: 00-36-1-282-5689 and 00-36-1-282-8308, Our customer service is available.