

SCREW IN SENSOR

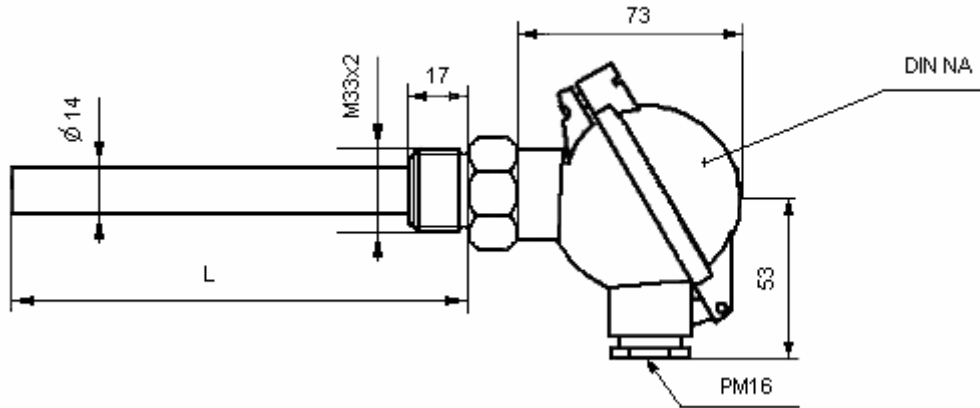


KBA: resistance type

Description:

Resistance temperature sensor with metal thermowell , connection head (adjustable or non-adjustable), thread mounting (M33x2), for temperature measuring of pressurized fluid and gaseous agents.

Temperature: -200...+600°C, -50...+400°C



Ordering code:

MEASURING ELEMENT:

Resistance type: Pt100
Other

Class of tolerance: A
B
Other

Construction: Single
Double
Triple

Wires per element: 2
3
4

Measuring range: -200...+600° C
-50...+400° C

THERMOWELL, CONNECTION:

Material of thermowell: 1.4541
1.4571
Other

Diameter of thermowell [mm]: 14
Other

Length of thermowell [mm]:

Head: Non adjustable
Adjustable

OPTION OF ORDER:

Head mounted transmitter (4-20 mA):
Not order
Order

K	B	A																	
			1																
			9																
			A																
			B																
			9																
			1																
			2																
			3																
			4																
			2																
			3																
			4																
			1																
			2																
			1																
			2																
			1	4															
			9	9															
			0																
			1																
			0																
			1																

Naturally, we can differ from the above construction.

Please, fill in the ordering code and send your enquiry (order) to us.
 fax: 00-36-1-282-6135 , e-mail: ugyfelsz@rhodium.hu , We will discuss the details.
 If you have question, please call: 00-36-1-282-5689 and 00-36-1-282-8308, Our customer service is available.